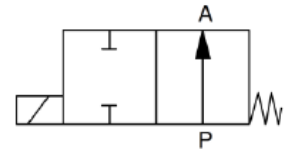


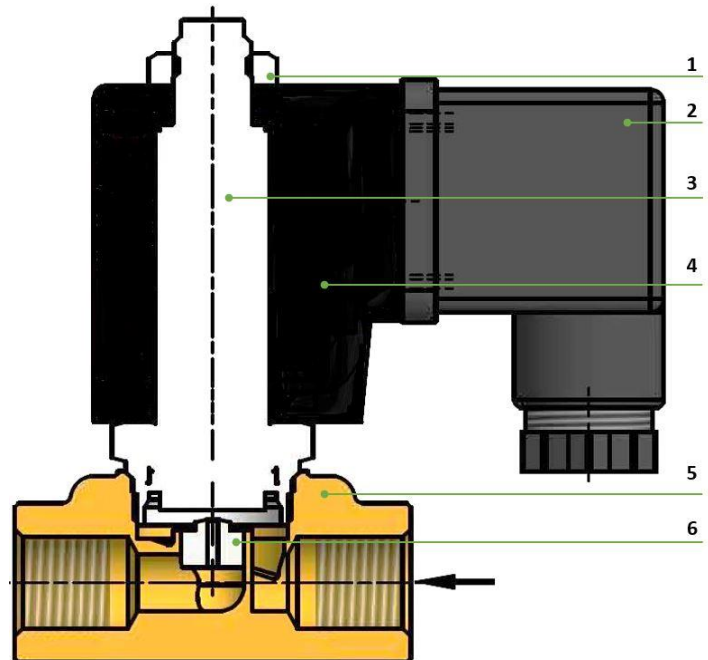
Normal position	NO
Housing	Brass (CW614N)
Valve seat	Stainless steel
Ambient temperature	-20 °C to 55 °C
Medium temperature	-15 °C to 100 °C (FPM)

Mounting position	Solenoid preferably in upright position
Protection IP	IP 65 (with connector socket fitted)
Electrical connection	Connector socket acc. to DIN EN 175301-803 standard type A
Voltage tolerance	± 10% acc. VDE 0580
Power	230V 50Hz: 17.6VA 110V AC: 17.6VA 24V DC: 15W 12V DC: 15W
Duty cycle	100% ED



### Materials

No.	Part	Material
1	Nut	Galvanised steel
2	Connector socket	Plastic
3	NO iron part	Stainless steel, FPM, copper ring
4	Solenoid	Plastic cover
5	Housing	Brass
6	Valve seat nozzle	Stainless steel



**P 3-540 e**

## 2/2-way solenoid valves

directly operated  
professional standard series  
Art. No. 129310 to 129319



### Solenoid valve, normally open, directly operated, alternating current

Art. No.	Type No.	Thread	DN	Voltage	Sealant	Operating pressure bar	Flow rate l/min
129310	MVB.14.MS.230.F.RD.2.5	G 1/4	2.5	230V AC	FPM	0 - 10	3.0
129311	MVB.14.MS.230.F.RD.3	G 1/4	3	230V AC	FPM	0 - 6	3.7
129314	MVB.14.MS.24A.F.RD.2.5	G 1/4	2.5	24V AC	FPM	0 - 10	3.0
129315	MVB.14.MS.24A.F.RD.3	G 1/4	3	24V AC	FPM	0 - 6	3.7
129316	MVB.14.MS.110.F.RD.2.5	G 1/4	2.5	110V AC	FPM	0 - 10	3.0
129317	MVB.14.MS.110.F.RD.3	G 1/4	3	110V AC	FPM	0 - 6	3.7

### Solenoid valve, normally open, directly operated, direct current

Art. No.	Type No.	Thread	DN	Voltage	Sealant	Operating pressure bar	Flow rate l/min
129312	MVB.14.MS.24D.F.RD.2.5	G 1/4	2.5	24V DC	FPM	0 - 8	3.0
129313	MVB.14.MS.24D.F.RD.3	G 1/4	3	24V DC	FPM	0 - 5	3.7
129318	MVB.14.MS.12.F.RD.2.5	G 1/4	2.5	12V DC	FPM	0 - 8	3.0
129319	MVB.14.MS.12.F.RD.3	G 1/4	3	12V DC	FPM	0 - 5	3.7

